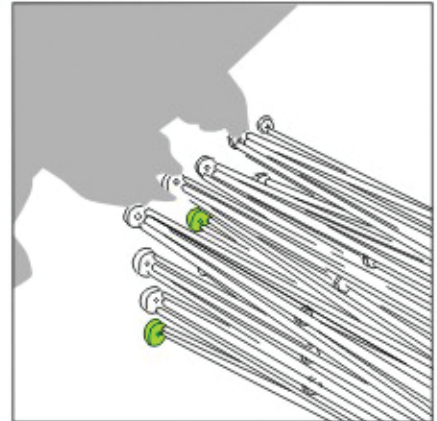
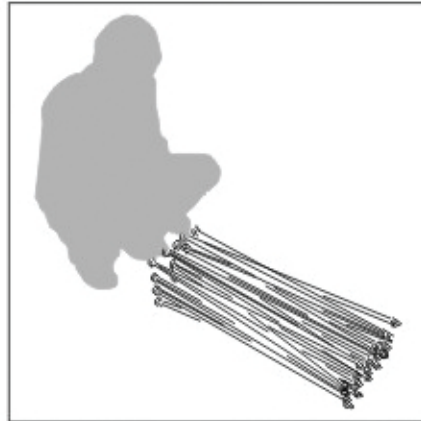
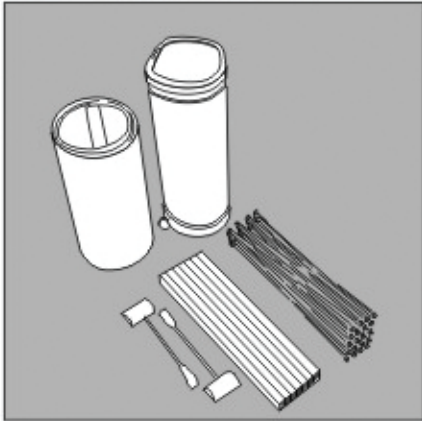
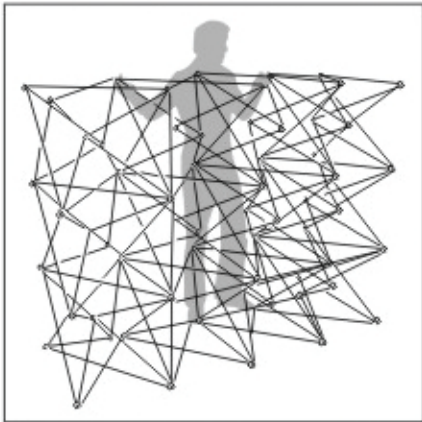


*Set-Up Instructions*

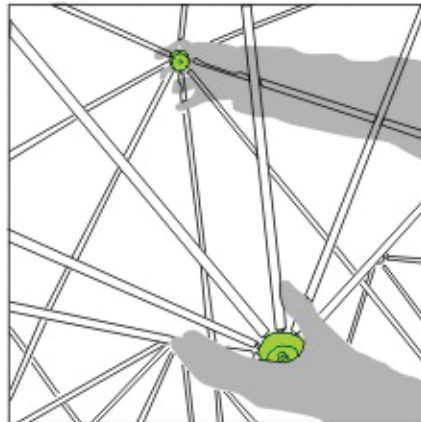


Place frame on floor.

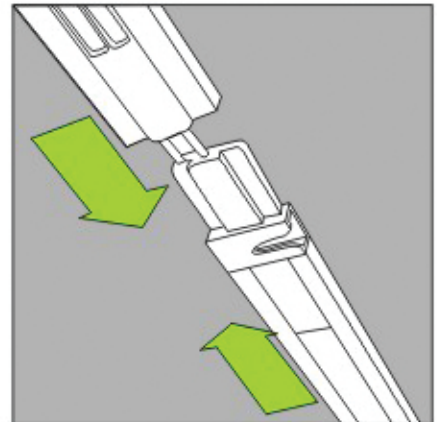
Green hubs facing downwards and facing towards body.



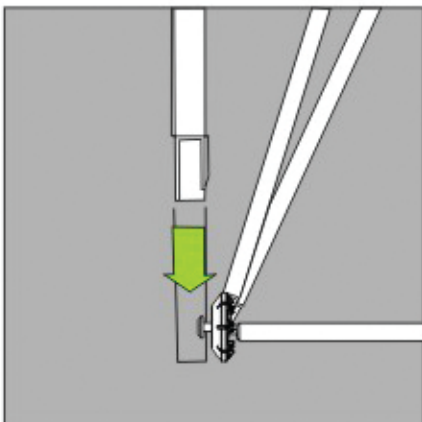
Fold out frame to shoulder height.



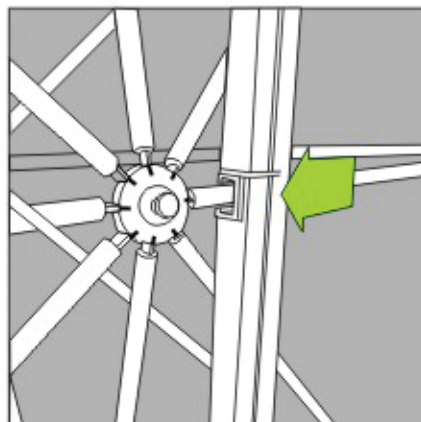
Place hands on central green hubs and press towards each other until frame snaps into stand position.



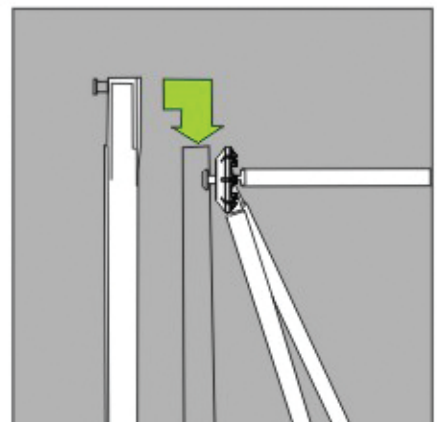
Unfold bungee connected channel bars and plug into each other.



Slide and fix bottom joint of the channel bar on to lower hub node.

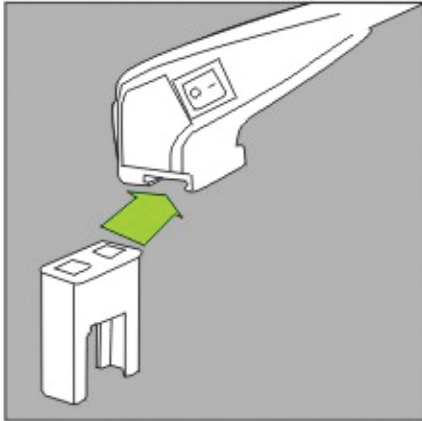


Slide and fix middle joint of the channel bar on to middle hub node.

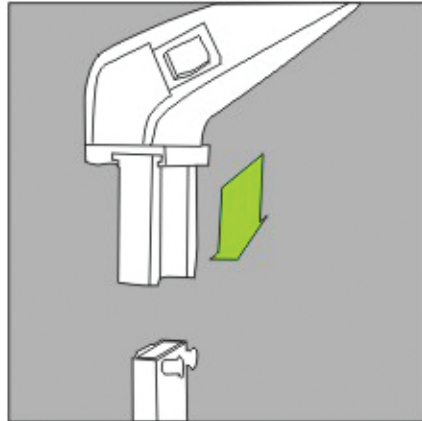


Slide and fix upper joint of the channel bar over upper hub node. Repeat steps with the remaining channel bars.

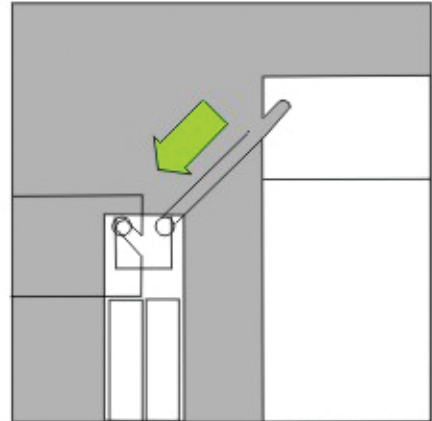
*Set-Up Instructions*



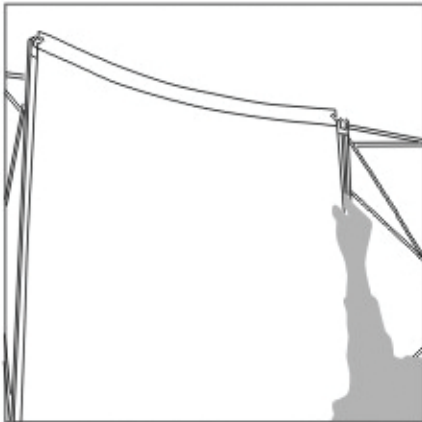
Slide light base onto the foot of halogen light. (may already be attached)



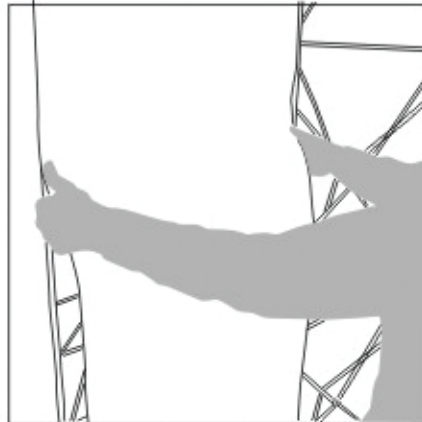
Slide light with base attached over top of channel bar.



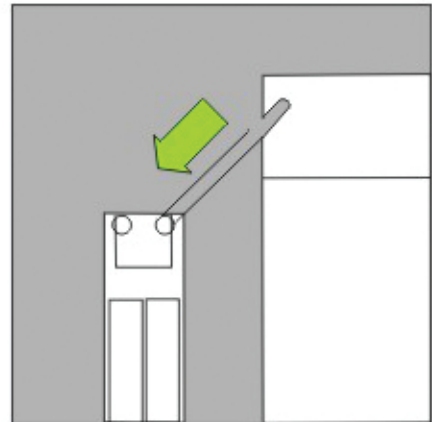
Hang left side graphics panel onto channel bar pin.



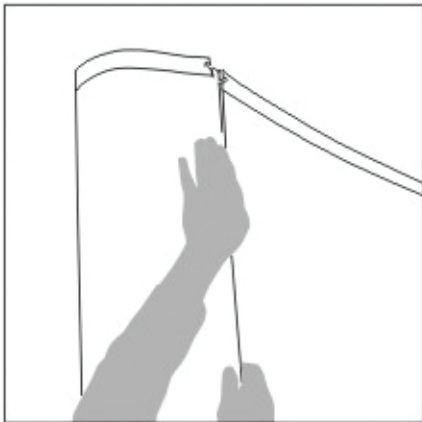
Hang right side graphics panel onto channel bar pin.



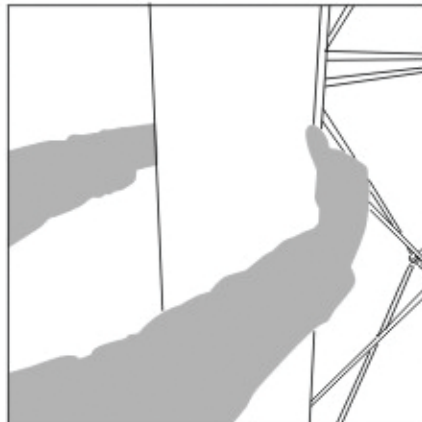
Hang and fasten graphics panel from top to bottom.



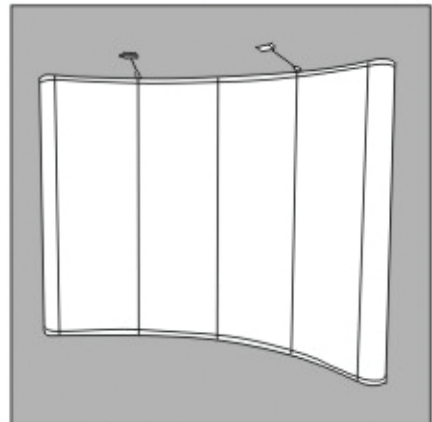
Hang left side endcap onto back channel bar pin.



Hang right side endcap onto pin of front channel bar.



Hang and fasten endcap from top to bottom.



Repeat steps with other panels. Reverse steps to break down.